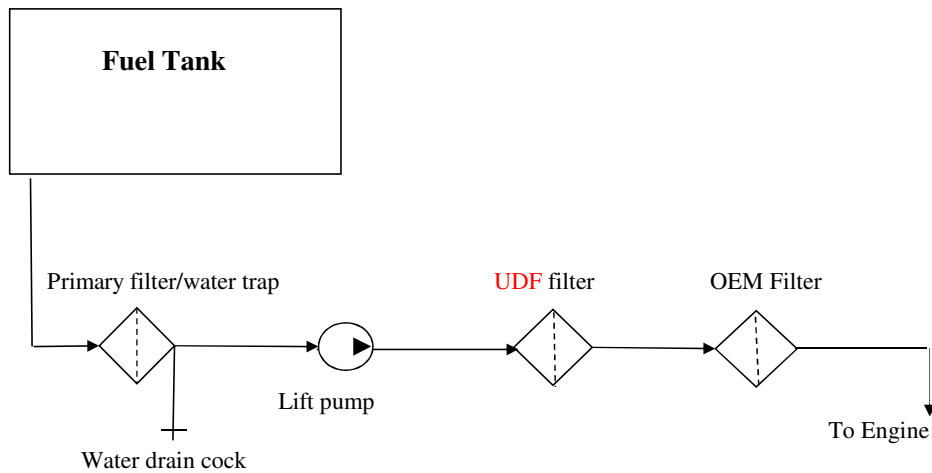




Ultrafine Depth Filtration (Pty) Ltd
13 Ingwi road, Sebenza, Edenvale, Gauteng
P.O.Box 1116, Isando, Gauteng
1600, RSA
Tel +27(0)11 609 9947 Fax +27(0)11 609 6690
www.udfiltration.com

OEM APPROVED INSTALATION SPEC SHEET - ALL FILTERS

INSTALATION DIAGRAM



*Clean fuel - saves money
- reduces emissions
- improves performance*